

## 349-CP

### Deck Mounted Single Water Inlet Faucet

#### PRODUCT TYPE

Deck mounted single water inlet faucet

#### FEATURES & SPECIFICATIONS

- Polished chrome plated finish
- Solid brass body construction
- Single water inlet
- 6" cast swing spout, catalog #S6
- 2.2 GPM (8.3 L/min) pressure compensating aerator outlet, catalog #E3
- 2 3/8" metal lever handle with eight point tapered broach and secured color coded blue index button, catalog #369
- Quatern™ quarter-turn renewable compression cartridge that close with water pressure with tapered square broach to facilitate handle removal, catalog #1-099XT
- 1/2" NPSM supply inlet with coupling nut for 3/8" or 1/2" flexible riser
- Mounting hardware included

#### PERFORMANCE SPECIFICATION

- Rated Operating Pressure: 20-125 PSI
- Rated Operating Temperature: 40-140° F

#### WARRANTY

- Lifetime Limited Faucet Warranty
- 5-Year Limited Cartridge Warranty
- 1-Year Limited Finish Warranty

#### COMPLIANT TO

- ASME A112.18.1
- CSA B125
- NSF 61, Sec. 9
- ADA

|   |  |
|---|--|
| Job Name                                    | _____  |
| Item Number                                 | _____  |
| Section/Tag                                 | _____  |
| Model Specified                             | _____  |
| Architect                                   | _____  |
| Engineer                                    | _____  |
| Contractor                                  | _____  |
| <input type="checkbox"/> Submitted as Shown | <input type="checkbox"/> Submitted with Variations |
| Date  | _____  |

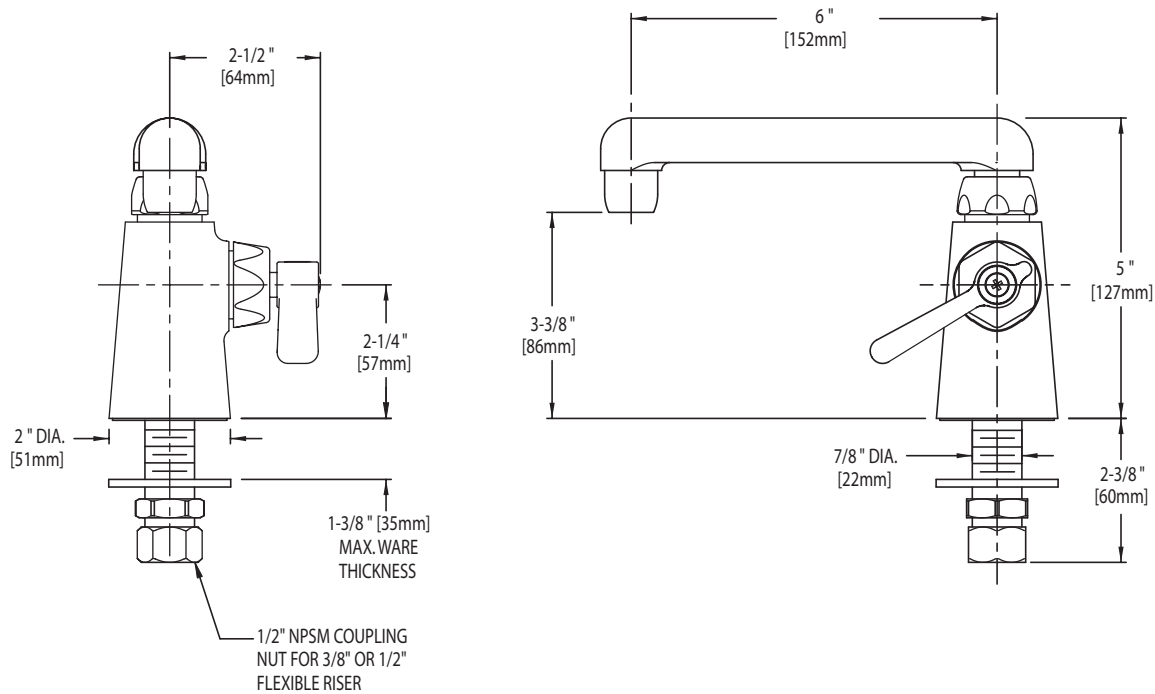


# 349-CP

## Deck Mounted Single Water Inlet Faucet

### ARCHITECT/ENGINEER SPECIFICATION

Chicago Faucets No. 349-CP, Polished chrome plated solid brass construction with integral shank. 6" cast swing spout. 2.2 GPM pressure compensating aerator outlet, 2 3/8" metal lever handle with eight point tapered broach and secured color coded blue index button. Quatum™ quarter-turn renewable compression cartridge designed to close with water pressure with square tapered broach feature to help facilitate handle removal. Inlet shank contains standard 1/2" NPSM threaded inlet with coupling nut for connection to 3/8" or 1/2" standard lavatory riser. All mounting hardware is included for standard lavatory installations. This product meets ADA requirements and is tested and certified to industry standards: ASME A112.18.1, NSF 61, Sec. 9 and CSA B125.



### OPERATION AND MAINTENANCE

Installation should be in accordance with local plumbing codes. Flush all pipes thoroughly before installation. After installation, remove spout outlet or flow control and flush faucet thoroughly to clear any debris. Care should be taken when cleaning this product. Do not use abrasive cleaners, chemicals or solvents as they can result in surface damage. Use mild soap and warm water for cleaning and protecting the life of Chicago Faucet products. For specific operation and maintenance refer to the installation instructions and repair parts documents that are located at [www.chicagofaucets.com](http://www.chicagofaucets.com).

Chicago Faucets, member of the Geberit Group, is the leading brand of commercial faucets and fittings in the United States, offering a complete range of products for schools, laboratories, hospitals, office buildings, food service, airports and sport facilities. Call 1.800.TECTRUE or 1.847.803.5000 Option 1 for installation or other technical assistance.