

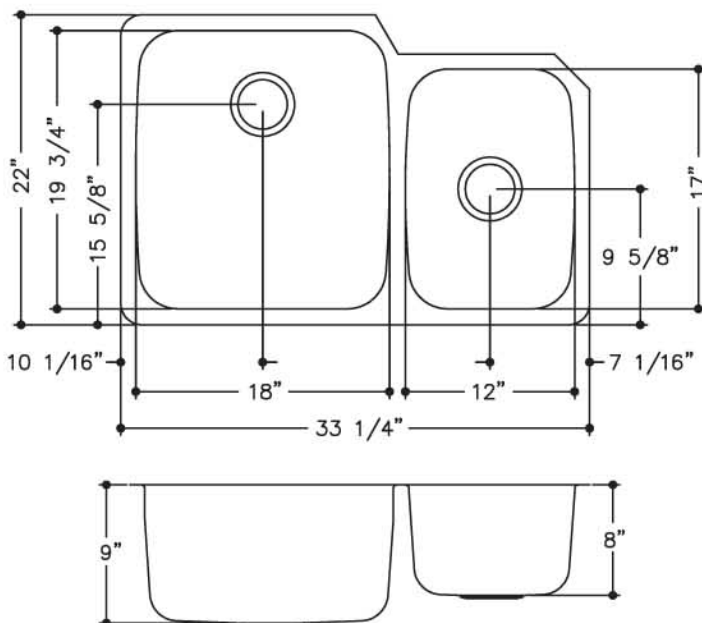
- 18-10 Stainless Steel
- Fully Undercoated
- Limited Lifetime Buyer Warranty



Fits 36" Cabinet. Special installation required. Consult with fabricator.

Model #	Faucet Holes	Finish Deck/Bowl	Bowl Size ↕ X ↔	Sink Depth	Overall Dimension	Gauge	Cutout Dimension
UC2233/90RK/E	NA	Radiant/Silk	L: 19 3/4" x 18" R: 17" x 12"	L: 9" R: 8"	22" x 33 1/4"	18	Refer To Template*

\*DXF files are available for use with CNC equipment. Visit our website.



JOB NAME: \_\_\_\_\_

DATE: \_\_\_\_\_

CUSTOMER: \_\_\_\_\_

MODEL SPECIFIED: \_\_\_\_\_

QUANTITY: \_\_\_\_\_

ARCHITECT/ENGINEER: \_\_\_\_\_

CONTRACTOR: \_\_\_\_\_