

**CULINAIRE 25” STAINLESS STEEL KITCHEN  
SINK**

**7501.103** Self Rimming

- 18 Gauge Stainless Steel
- 18/10 Chrome Nickel content
- Single bowl design
- Self-rimming
- Single faucet hole
- One accessory hole
- Mounting clips supplied

**7501.000** Undercounter Mount

- 18 Gauge Stainless Steel
- 18/10 Chrome Nickel content
- Single bowl design
- Undercounter installation
- Mounting clips supplied

Nominal Dimensions: 25" x 22" x 9"  
(635 x 559 x 229mm)

**Bowl sizes:**

21-1/4" (540mm) wide, 18-3/4"  
(476mm) front to back, 8-5/8" (219mm) deep

**Compliance Certifications -**

**Meets or Exceeds the Following Specifications:**

- ASME A112.19.3 for Stainless Steel Plumbing Fixtures
- CSA B45 for Plumbing Fixtures



7501.103



7501.000

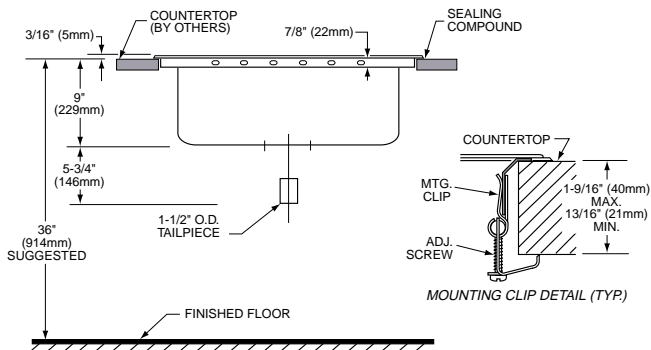
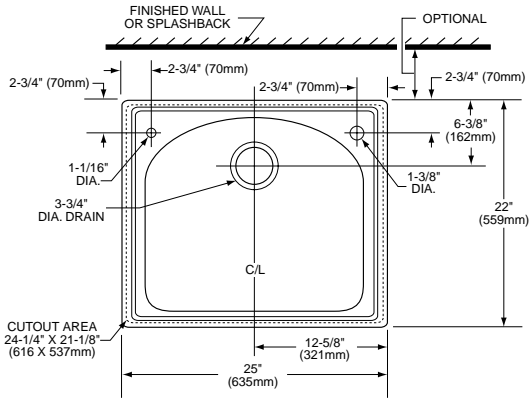
Rough-in Dimensions shown on reverse

**To Be Specified:**

- |  |   |
|--|---|
| <input type="checkbox"/> Color: Stainless Steel    | <input type="checkbox"/> Vinyl Coated Bottom Rack-Lg: 7414.000  |
| <input type="checkbox"/> Faucet*:                  | <input type="checkbox"/> Vinyl Coated Dish Rack-Lg: 7352.100    |
| <input type="checkbox"/> Faucet Finish:            | <input type="checkbox"/> Wood Cutting Board-Rec: 9001.100       |
| <input type="checkbox"/> Basket Strainer: 4331.013 | <input type="checkbox"/> Synthetic Cutting Board-Rec: 9009.100  |
| <input type="checkbox"/> Soap Dispenser: 4503.115  | <input type="checkbox"/> Remote Access Drain-Sgl Ctrl: 8780.010 |

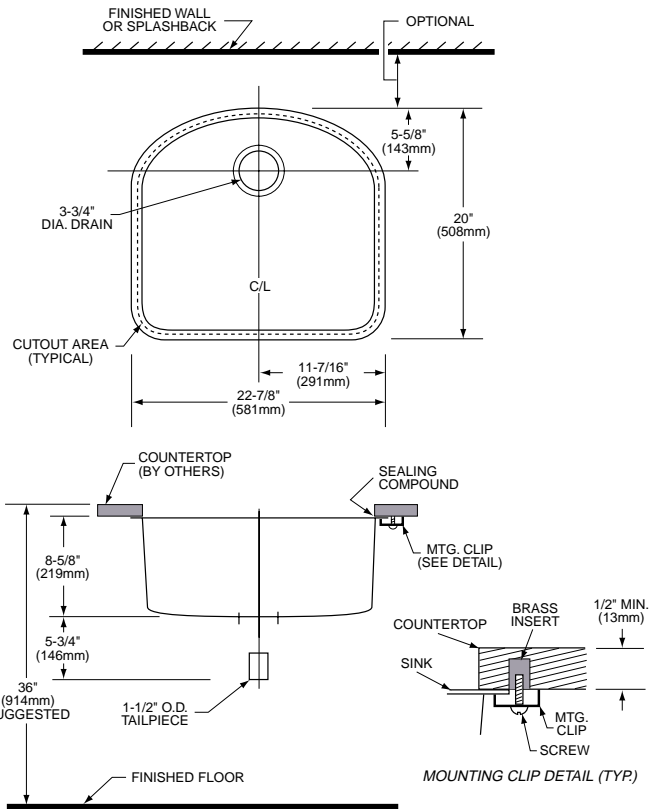
\* See faucet section for additional models available

7501.103



NOTES:  
FITTINGS NOT INCLUDED AND MUST BE ORDERED SEPARATELY.  
PROVIDE SUITABLE REINFORCEMENT FOR ALL WALL AND COUNTERTOP SUPPORTS.  
**IMPORTANT:** Dimensions of fixtures are nominal and may vary within the range of tolerances established by ASME A112.19.3. These measurements are subject to change or cancellation. No responsibility is assumed for use of superseded or voided leaflet.

7501.000



NOTES:  
\* TEMPLATE PROVIDED WITH MOUNTING KIT FOR EXPOSED FAUCET DECK OR UNDER-COUNTER FAUCET DECK COUNTERTOP CUTOUT VARIATIONS.  
FITTINGS NOT INCLUDED AND MUST BE ORDERED SEPARATELY.  
PROVIDE SUITABLE REINFORCEMENT FOR ALL WALL AND COUNTERTOP SUPPORTS.

**IMPORTANT:** Dimensions of fixtures are nominal and may vary within the range of tolerances established by ASME A112.19.3. These measurements are subject to change or cancellation. No responsibility is assumed for use of superseded or voided leaflet.

SPS 7501